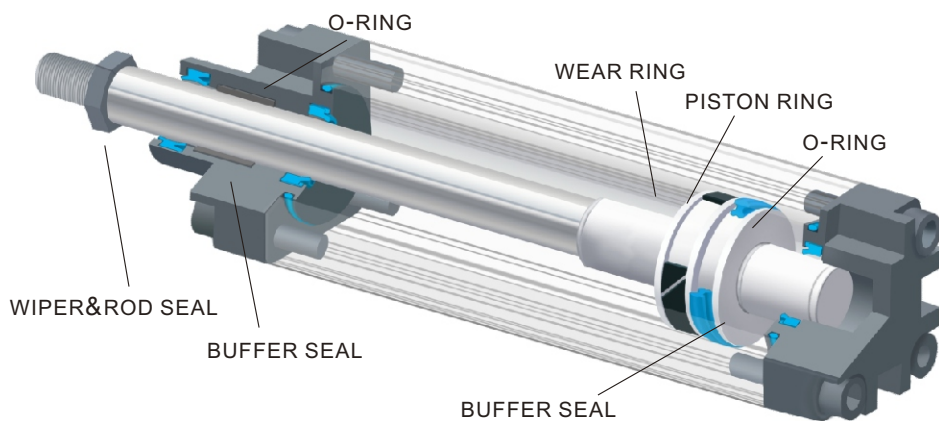










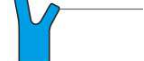










PNEUMATIC SEALS FOR GENERAL INDUSTRIES


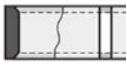








PETSEALS INDUSTRIES LTD.
www.petseals.com

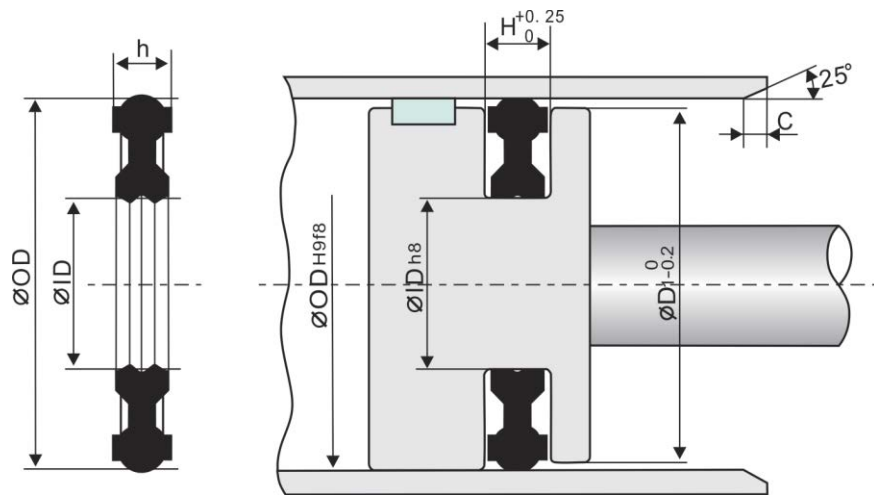
PNEUMATIC SEALS INDEX

ITEM	PROFILE	TYPE	MATERIAL	TEMPERATURE	PRESSURE (kgf/cm ²)	SPEED (m/s)	PAGE
PISTON SEAL		NPA	NBR	-20°C ~ 100°C	10	1	1
			FKM	-15°C ~ 160°C	10	1	
		NGP	NBR	-20°C ~ 100°C	10	1	2
		NZ8	NBR	-30°C ~ 80°C	16	1	3
			PU	-35°C ~ 80°C	16	1	
		NE4	NBR	-20°C ~ 80°C	16	1	4
	NPZ	NBR	-20°C ~ 80°C	12	1	5	
	NPP	NBR	-20°C ~ 80°C	10	1	6	
PISTON/ROD SEAL		NYA	NBR	-25°C ~ 70°C	8	0.4	7
ROD SEAL		NPN	NBR	-25°C ~ 80°C	10	1	8
		NR5	PU	-35°C ~ 80°C	16	1	9
ROD/WIPER SEAL		NDU	NBR	-20°C ~ 80°C	10	1	10
			FKM	-15°C ~ 160°C	10	1	
		PDR	NBR	-20°C ~ 80°C	10	1	11
		NEU	PU	-35°C ~ 80°C	16	1	12
		NEM	PU	-35°C ~ 80°C	16	1	13
		MBH	NBR+STEEL	-35°C ~ 80°C	16	1	14
BUFFER SEAL		NVB	NBR+STEEL	-20°C ~ 80°C	10	1	15
		NTU	NBR	-25°C ~ 90°C	16	1	16
		NTU	PU	-35°C ~ 80°C	16	1	17

PNEUMATIC SEALS INDEX

ITEM	PROFILE	TYPE	MATERIAL	TEMPERATURE	PRESSURE (kgf/cm ²)	SPEED (m/s)	PAGE
BUFFER SEAL		NTP	PU	-35°C ~ 80°C	16	1	18
WEAR RING		WRA	POM	-55°C ~ 90°C	16	3	19
		WROM	POM	-40°C ~ 120°C	16	1	20
SOLENOID VALVE SEAL		NSP	HNBR	-30°C ~ 120°C	10	1	21
		I-RING	HNBR	-30°C ~ 120°C	10	1	21
			HNBR	-30°C ~ 120°C	10	1	22
			HNBR	-30°C ~ 120°C	10	1	22
		NPR	HNBR	-30°C ~ 120°C	10	1	22

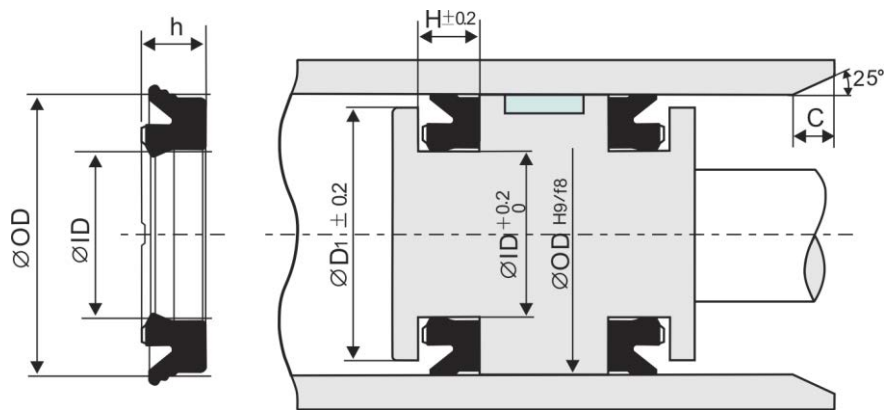
NPA PISTON SEAL



APPLICATION		
MATERIAL	NBR	FKM
TEMP.	-20°C~100°C	-15°C~160°C
PRESSURE	10kgf/cm ²	10kgf/cm ²
SPEED	1m/s	1m/s

ITEM	OD	ID	h	D1	H	C
NPA-010	10	5.4	1.6	9.7	1.8	1
NPA-012	12	7.4	1.6	11.7	1.8	1
NPA-014	14	9.4	1.5			
NPA-015	15	10.4	1.6	14.7	1.8	1
NPA-016	16	11.4	1.6	15.7	1.8	1
NPA-020	20	14	2.2	19.5	2.4	1.5
NPA-025	25	17	3	24.5	3.2	2
NPA-032	32	24	3	31.5	3.2	2
NPA-040	40	32	3	39.5	3.2	2
NPA-050	50	40	3.8	49.5	4	2.5
NPA-063	63	53	3.8	62.4	4	2.5
NPA-080	80	65	5.6	79.4	6	3
NPA-100	100	85	5.6	99.4	6	3
NPA-125	125	110	5.7	124.3	6	3.5
NPA-140	140	125	5.7	139.3	6	3.5
NPA-150	150	135	5.7	149.3	6	3.5
NPA-160	160	140	7.6	159.3	8	5
NPA-180	180	160	7.6	179.3	8	5
NPA-200	200	180	7.6	199	8	5

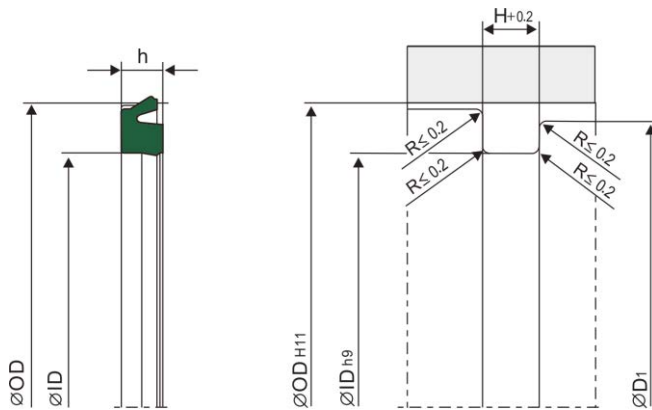
NGP PISTON SEAL



APPLICATION	
MATERIAL	NBR
TEMP.	-20°C ~ 100°C
PRESSURE	10kgf/cm ²
SPEED	1m/s

ITEM	OD	ID	h	D ₁	H	C
NGP-040	40	30	6.5	39	7	3
NGP-045	45	35	6.5	44	7	3
NGP-050	50	40	6.5	49	7	3
NGP-063	63	53	6.5	62	7	3
NGP-080	80	70	6.5	79	7	3
NGP-100	100	90	6.5	99	7	3
NGP-100	100	85	9.5	98.5	10	4
NGP-120	120	105	9.5	118.5	10	4
NGP-125	125	110	9.5	123.5	10	4
NGP-140	140	125	9.5	138.5	10	4
NGP-150	150	135	9.5	148.5	10	4
NGP-160	160	145	9.5	158.5	10	4
NGP-180	180	165	9.5	178.5	10	4
NGP-200	200	180	12	198	13	5

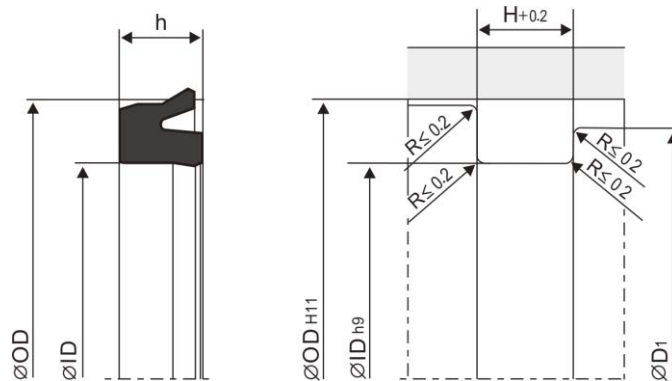
NZ8 PISTON SEAL



APPLICATION		
MATERIAL	NBR	PU
TEMP.	-30°C~80°C	-30°C~80°C
PRESSURE	16kgf/cm ²	16kgf/cm ²
SPEED	1m/s	1m/s

ITEM	OD	ID	h	D1	H
NZ8-012	12	7	2.55	11.6	3
NZ8-016	16	10	2.55	15.6	3
NZ8-020	20	14	2.55	19.6	3
NZ8-025	25	19	3.25	24.4	3.5
NZ8-032	32	24	3.25	31.4	3.5
NZ8-035	35	27	3.25	34.4	3.5
NZ8-040	40	32	3.25	39.4	3.5
NZ8-050	50	42	3.25	49.4	3.5
NZ8-063	63	53	4.25	62.4	4.5
NZ8-070	70	60	4.25	69.4	4.5
NZ8-080	80	70	4.25	79.4	4.5
NZ8-100	100	90	4.25	99.4	4.5
NZ8-125	125	105	8.25	123.8	8.5
NZ8-150	150	130	8.25	148.8	8.5
NZ8-160	160	140	8.25	158.8	8.5
NZ8-200	200	180	8.25	198.8	8.5
NZ8-250	250	230	10	248.8	10.5

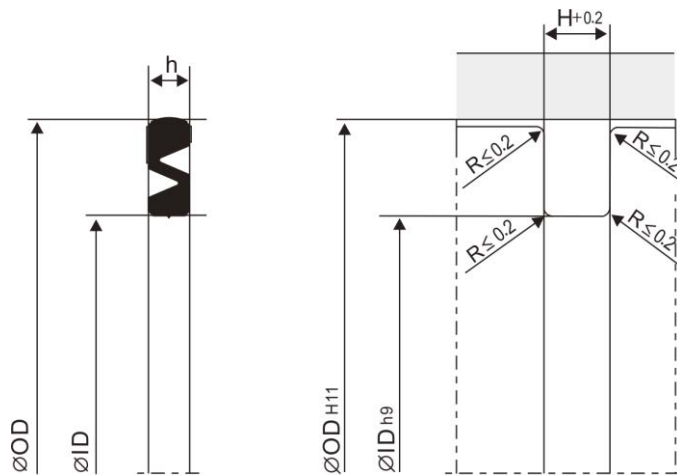
NE4 PISTON SEAL



APPLICATION	
MATERIAL	NBR
TEMP.	-20°C ~ 80°C
PRESSURE	16kgf/cm ²
SPEED	1m/s

ITEM	OD	ID	h	D1	H
NE4-016	16	10	4	15	4.5
NE4-020	20	14	4	19	4.5
NE4-025	25	17	5.5	24	6
NE4-032	32	24	5.5	31	6
NE4-040	40	30	7	38.5	7.5
NE4-050	50	40	7	48.5	7.5
NE4-063	63	53	7	61.5	7.5
NE4-080	80	68	8.5	78	9.5
NE4-100	100	88	8.5	98	9.5
NE4-125	125	110	10	122.5	11
NE4-150	150	135	10	147.5	11
NE4-160	160	140	14	155	15
NE4-200	200	180	14	195	15

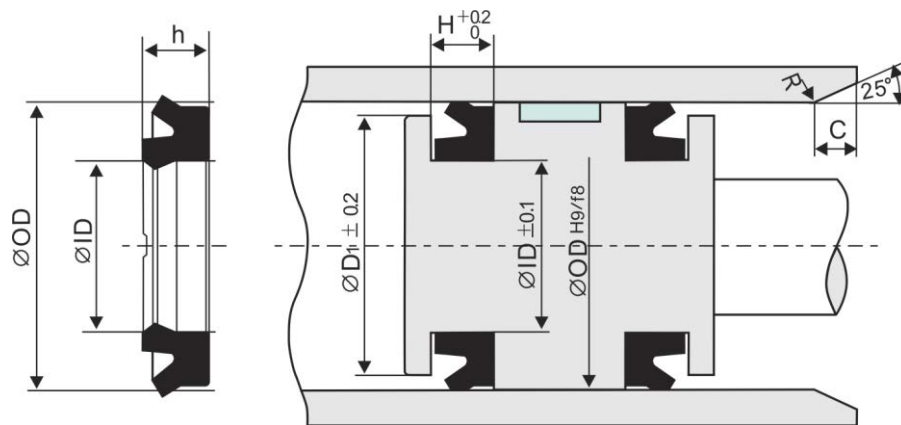
NPZ PISTON SEAL



APPLICATION	
MATERIAL	NBR
TEMP.	-20°C~80°C
PRESSURE	12kg/cm2
SPEED	1m/s

ITEM	OD	ID	h	D1	H
NPZ-012	12	7	2	11.6	2.5
NPZ-016	16	9	2.1	15.6	2.5
NPZ-020	20	13	2.1	19.6	2.5
NPZ-025	25	18	2.1	24.6	2.5
NPZ-028	28	19	2.5	27.6	3
NPZ-030	30	21	2.5	29.6	3
NPZ-032	32	23	2.5	31.6	3
NPZ-040	40	31	2.5	39.5	3
NPZ-050	50	41	2.5	49.5	3
NPZ-063	63	51	3.4	62.5	4
NPZ-080	80	68	3.4	79.5	4
NPZ-100	100	88	3.4	99.4	4

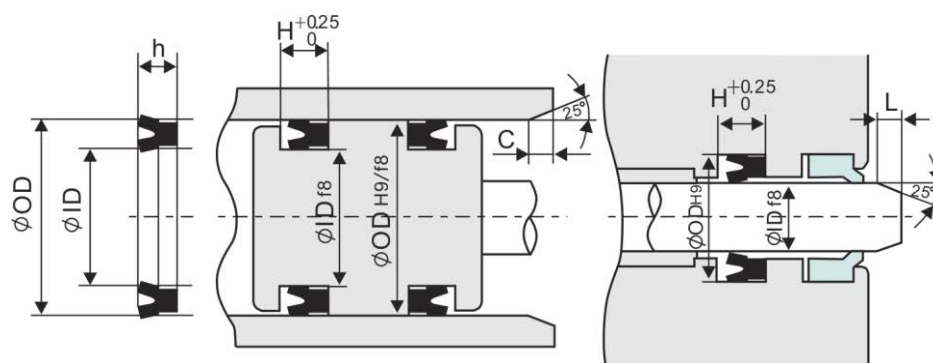
NPP PISTON SEAL



APPLICATION	
MATERIAL	NBR
TEMP.	-20°C ~ 80°C
PRESSURE	10kgf/cm ²
SPEED	1m/s

ITEM	OD	ID	h	D ₁	H	C
NPP-004	4	1.2	2			
NPP-005	5	2	2			
NPP-006	6	3	2			
NPP-010	10	7	2			
NPP-012	12	8	2.9	11.5	3.3	2.5
NPP-015	15	10	3.6	14	4	2.5
NPP-016	16	12	3.6	15	4	2.5
NPP-020	20	14	4.3	19	4.7	3
NPP-025	25	17	5.3	24	5.7	3
NPP-030	30	22	5.3			
NPP-032	32	24	5.3	31	5.7	3

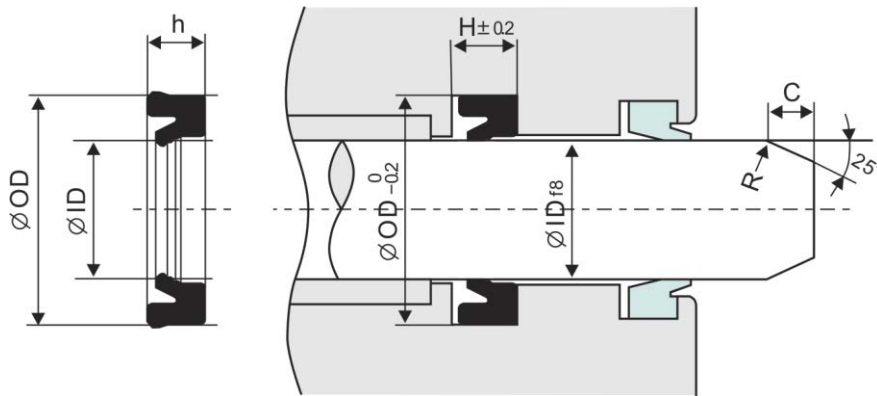
NYA PISTON & ROD SEAL



APPLICATION	
MATERIAL	NBR
TEMP.	-25°C ~70°C
PRESSURE	8kgf/cm ²
SPEED	0.4m/s

ITEM	ID	OD	h	H	C	L
NYA-003	3	6	2.1	2.5	2	1.5
NYA-004	4	7	2.1	2.5	2	1.5
NYA-005	5	8	2.1	2.5	2	1.5
NYA-006	6	9	2.1	2.5	2	1.5
NYA-007	7	10	2.1	2.5	2	1.5
NYA-008	8	11	2.1	2.5	2	1.5
NYA-009	9	12	2.1	2.5	2	1.5
NYA-010	10	13	2.1	2.5	2	1.5
NYA-010A	10	14	2.8	3.2	2.5	2
NYA-011	11	15	2.8	3.2	2.5	2
NYA-012	12	16	2.8	3.2	2.5	2
NYA-013.6	13.6	18	2.8	3.2	2.5	2
NYA-014	14	18	2.8	3.2	2.5	2
NYA-016	16	20	2.8	3.2	2.5	2
NYA-018	18	22	2.8	3.2	2.5	2
NYA-020	20	24	2.8	3.2	2.5	2
NYA-022	22	26	2.8	3.2	2.5	2
NYA-024	24	30	4.2	4.7	3	3
NYA-034	34	40	4.2	4.7	3	3

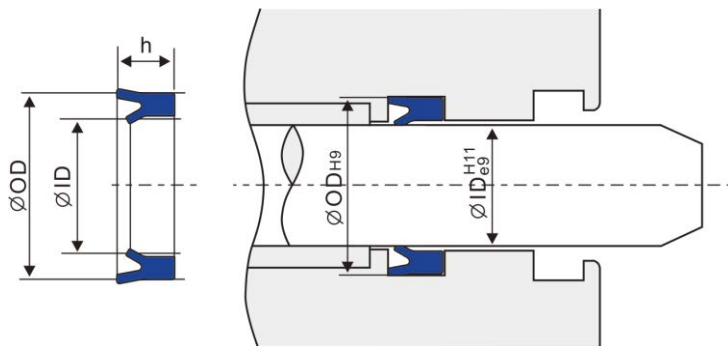
NPN ROD SEAL



APPLICATION	
MATERIAL	NBR
TEMP.	-25°C ~80°C
PRESSURE	10kgf/cm ²
SPEED	1m/s

ITEM	ID	OD	h	H	C
NPN-016	16	24	5.2	5.7	1.5
NPN--020	20	28	5.2	5.7	1.5
NPN--025	25	33	5.2	5.7	1.5

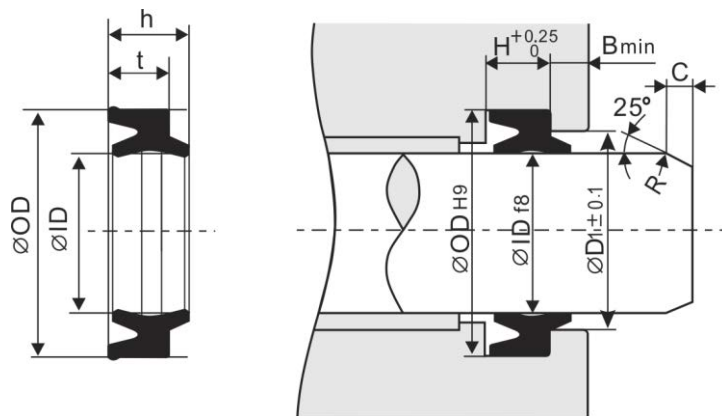
NR5 ROD SEAL



APPLICATION	
MATERIAL	PU
TEMP.	-35°C~80°C
PRESSURE	16kgf/cm ²
SPEED	1m/s

ITEM	ID	OD	h
NR5-012	12	18.4	7.5
NR5-016	16	22.4	7.5

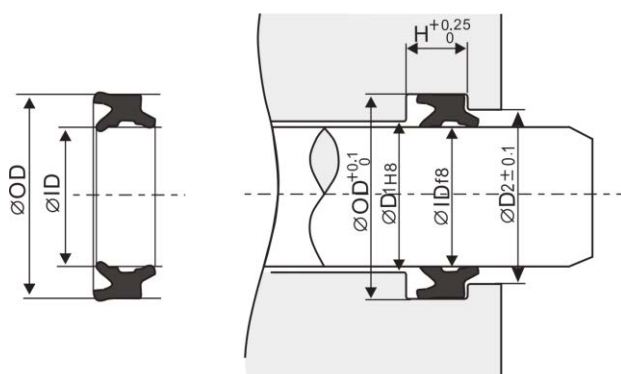
NDU ROD & WIPER SEAL



APPLICATION		
MATERIAL	NBR	FKM
TEMP.	-20°C~80°C	-15°C~160°C
PRESSURE	10kgf/cm ²	10kgf/cm ²
SPEED	1m/s	1m/s

ITEM	ID	OD	t/h	D1	H	B	R	C
NDU-006	6	10	3.0/4.4	7.6	3.5	2	0.5	1.5
NDU-008	8	12	3.5/4.7	9.6	4	2	0.5	1.5
NDU-010	10	14	3.5/4.7	11.6	4	2	0.5	1.5
NDU-012	12	16	3.5/4.7	13.6	4	2	0.5	1.5
NDU-016	16	24	5.5/7.3	19.4	6	2	0.6	2
NDU-020	20	28	5.5/7.3	23.4	6	2	0.6	2
NDU-025	25	33	5.5/7.3	28.4	6	2	0.6	2
NDU-030	30	40	6.5/8.5	34	7	2	0.8	2.5
NDU-032	32	42	6.5/8.5	36	7	2	0.8	2.5
NDU-035	35	45	6.5/8.5	39	7	2	0.8	2.5
NDU-040	40	50	6.5/8.5	44	7	2	0.8	2.5
NDU-045	45	55	6.5/8.5	49	7	2	0.8	2.5
NDU-050	50	60	6.5/8.5					

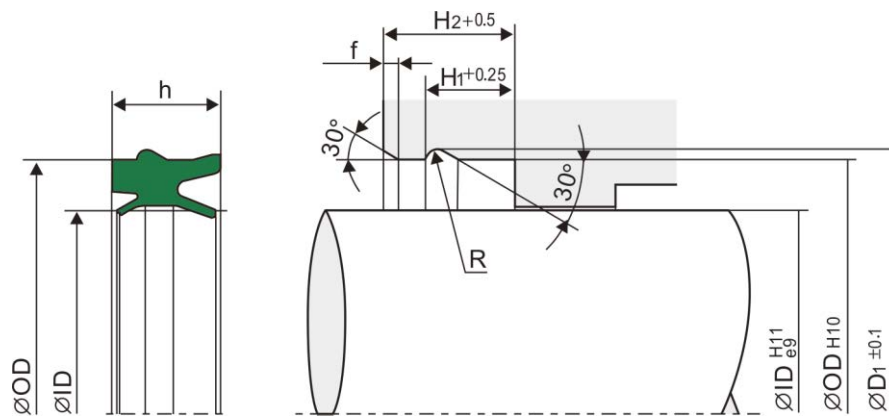
PDR ROD & WIPER SEAL



APPLICATION	
MATERIAL	NBR
TEMP.	-20°C ~80°C
PRESSURE	10kgf/cm ²
SPEED	1m/s

品名	ID	OD	H	D ₁	D ₂
PDR-016	16	24	6	16	19.4
PDR-020	20	28	6	20	23.4
PDR-025	25	33	6	25	28.4
PDR-030	30	40	7	30	34
PDR-035	35	45	7	35	39

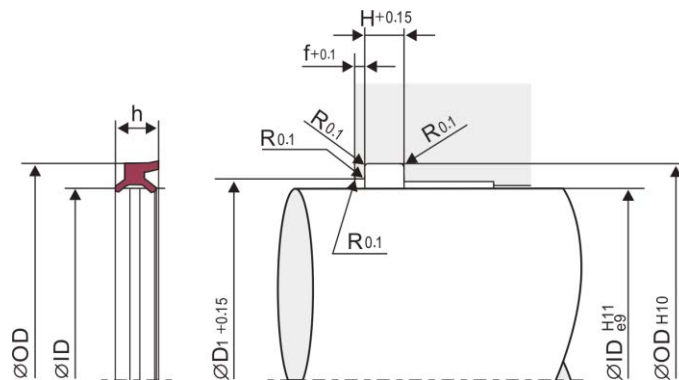
NEU ROD & WIPER SEAL



APPLICATION	
MATERIAL	PU
TEMP.	-35°C ~ 80°C
PRESSURE	16kgf/cm ²
SPEED	1m/s

ITEM	ID	OD	h	D1	H1	H2	R	f
NEU-012	12	20	10.7	22	8.8	13	1.1	1.5
NEU-012	12	22	10.7	24	8.8	13	1.1	1.5
NEU-016	16	26	10.7	28	8.8	13	1.1	1.5
NEU-020	20	30	10.7	32	8.8	13	1.1	1.5
NEU-025	25	35	11.2	37.5	9.4	14	1.4	2
NEU-030	30	40	11.2	42.5	9.4	14	1.4	2
NEU-032	32	42	11.2	44.5	9.4	14	1.4	2
NEU-040	40	50	11.2	52.5	9.4	14	1.4	2

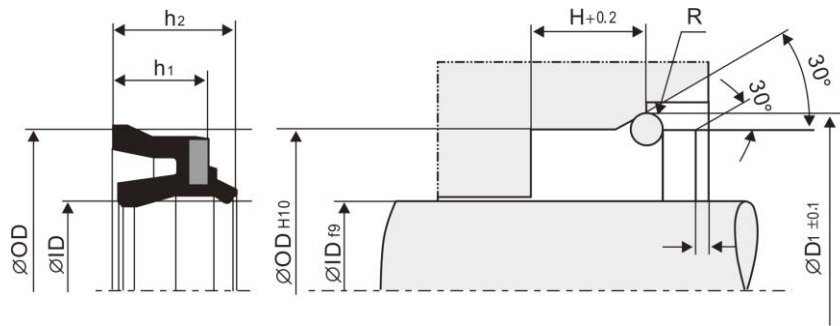
NEM ROD & WIPER SEAL



APPLICATION	
MATERIAL	PU
TEMP.	-35°C~80°C
PRESSURE	16kgf/cm ²
SPEED	1m/s

ITEM	ID	OD	h	D1	H	f
NEM-004	4	7	2.8	5.6	2.7	0.8
NEM-006	6	9	2.8	8.1	2.7	1
NEM-008	8	11.5	3.2	10.1	3	1
NEM-010	10	14	3.7	12.1	3.4	1
NEM-012	12	16.5	4	14.1	3.7	1.2
NEM-016	16	20.5	4	18.1	3.7	1.2
NEM-020	20	25	4.6	23.1	4.15	1.2
NEM-025	25	30	4.6	26.9	4.15	1.2

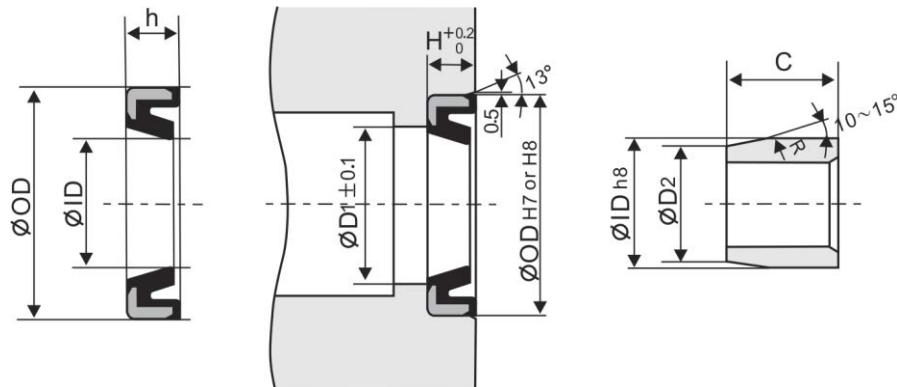
MBH ROD & WIPER SEAL



APPLICATION	
MATERIAL	NBR+STEEL
TEMP.	-35°C~80°C
PRESSURE	16kgf/cm ²
SPEED	1 m/s

ITEM	ID	OD	h1	h2	D1	H	R
MBH-008	8	16	7	9.5	18	8.5	1.1
MBH-010	10	20	7	9.5	22	8.5	1.1
MBH-012	12	20	6	8.5	22	7.5	1.1
MBH-012	12	22	7	9.5	24	8.5	1.1
MBH-014	14	24	7	9.5	26	8.5	1.1
MBH-016	16	26	7	9.5	28	8.5	1.1
MBH-018	18	26	6	8.5	28	7.5	1.1
MBH-018	18	28	7	9.5	30	8.5	1.1
MBH-020	20	30	7	9.5	32	8.5	1.1
MBH-022	22	32	7	9.5	34.5	8.8	1.4
MBH-025	25	35	7	9.5	37.5	8.8	1.4
MBH-030	30	40	7	9.5	42.5	8.8	1.4
MBH-032	32	42	7	9.5	44.5	8.8	1.4
MBH-040	40	50	7	9.5	52.5	8.8	1.4
MBH-050	50	60	6.5	9	62.5	8.3	1.4

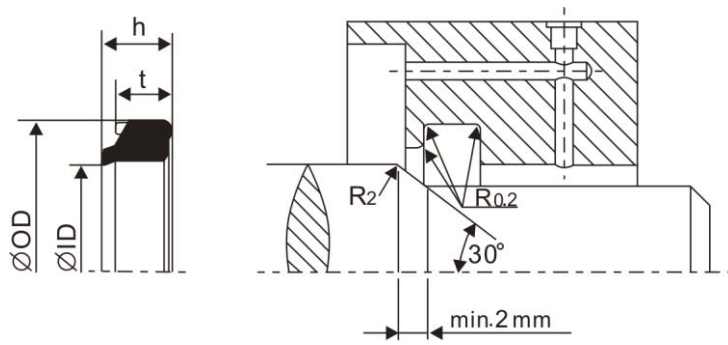
NVB BUFFER SEAL



APPLICATION	
MATERIAL	NBR+STEEL
TEMP.	-20°C~80°C
PRESSURE	10kgf/cm ²
SPEED	1m/s

ITEM	ID	OD	h	D1	D2	H	C
NVB-016	16	24	4.7	18.5	14	5	15~20
NVB-020	20	28	4.7	22.5	18	5	15~20
NVB-024	24	32	4.7	26.5	22	5	15~20
NVB-025	25	33	4.7	27.5	23	5	15~30
NVB-028	28	36	4.7	30.5	26	5	15~30
NVB-035	35	45	5.6	38	33	6	20~30
NVB-040	40	50	5.6	43	38	6	20~40
NVB-045	45	55	5.6	48	43	6	20~40
NVB-055	55	67	6.6	58	53	7	25~40
NVB-065	65	80				7	

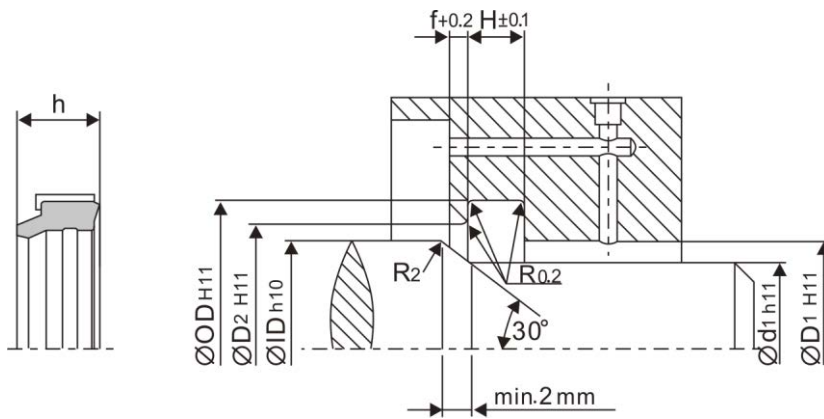
NTU BUFFER SEAL



APPLICATION	
MATERIAL	NBR/FKM
TEMP.	-25°C~90°C
PRESSURE	16kgf/cm ²
SPEED	1m/s

ITEM	ID	OD	t/h
NTU-015	14.5	22	6.1/7.5
NTU-020	20	26.6	4.3/6.1
NTU-028	27.2	36.9	7.0/8.0
NTU-035	34.3	45	6.7/8.4

NTU BUFFER SEAL



APPLICATION	
MATERIAL	PU
TEMP.	-35°C ~80°C
PRESSURE	16kgf/cm ²
SPEED	1m/s

ITEM	ID	OD	h	D1	D2	d1	H	f
NTU-016	16	24	7.8	17	21	14	7	2
NTU-020	20	28	7.8	21	24	17.5	7	2
NTU-022	22	30	7.8	23	26	19.5	7	2
NTU-025	25	33	7.8	26	29	22.5	7	2
NTU-028	28	36	7.8	29	32	25.5	7	2
NTU-030	30	40	7.8	31.5	35	27.5	7	2
NTU-035	35	45	7.8	36.5	40	32	7	2
NTU-040	40	50	7.8	41.5	45	37	7	2
NTU-050	50	60	7.8	51.5	55	47	7	2

NTP BUFFER SEAL

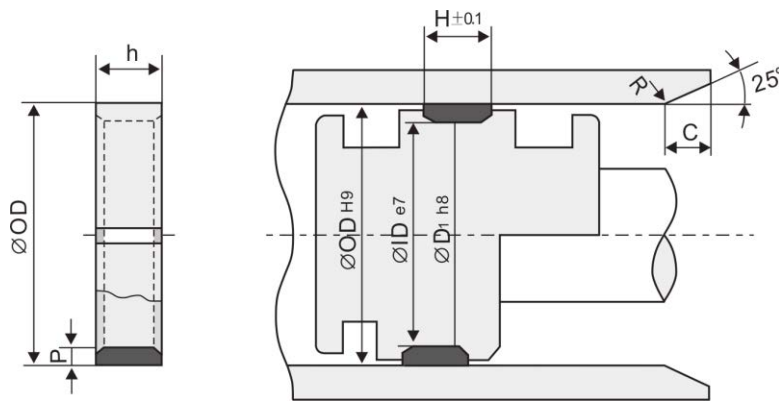


APPLICATION	
MATERIAL	PU
TEMP.	-35°C~80°C
PRESSURE	16kgf/cm ²
SPEED	1m/s

*PP type

ITEM	ID	OD	t/h
NTP-008	8	11.6	3.5
NTP-009.5	9.5	15	4.6
NTP-012	12	18	5
NTP-014	14	22	7.8
NTP-016	16	22	5.5
NTP-016	16	24	7.8
NTP-018	18	26	7.8
NTP-020	20	28	7.8
NTP-022	22	30	7.8
NTP-025	25	33	7.8
NTP-028	28	36	7.8
NTP-030	30	40	7.8
NTP-032	32	42	7.8
NTP-036	36	46	7.8
NTP-040	40	50	7.8
NTP-050	50	60	7.8
NTP-057	57	74	11
NTP-078	78	95	11

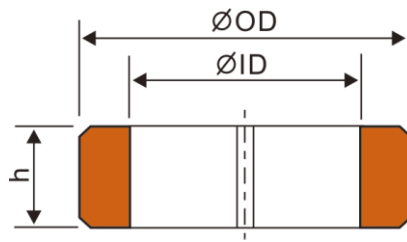
WRA WEAR RING



APPLICATION	
MATERIAL	PTFE
TEMP.	-55°C~200°C
PRESSURE	16kgf/cm ²
SPEED	3m/s

ITEM	OD	ID	h	P	D1	H
WRA-020	20	17	3	1.5	19.5	3
WRA-025	25	22	3	1.5	24.5	3
WRA-030	30	27	4	1.5	29.5	4
WRA-032	32	29	4	1.5	31.5	4
WRA-040	40	36	5	2	39.5	5
WRA-050	50	46	5	2	49.5	5
WRA-063	63	59	6	2	62.4	6
WRA-080	80	76	8	2	79.4	8
WRA-100	100	95	10	2.5	99.4	10
WRA-125	125	120	10	2.5	124.3	10
WRA-150	150	144	15	3	149.3	15
WRA-160	160	154	15	3	159.3	15
WRA-180	180	174	15	3	179.3	15
WRA-200	200	194	20	3	199.2	20
WRA-250	250	244	20	3	249.2	20

WROM WEAR RING

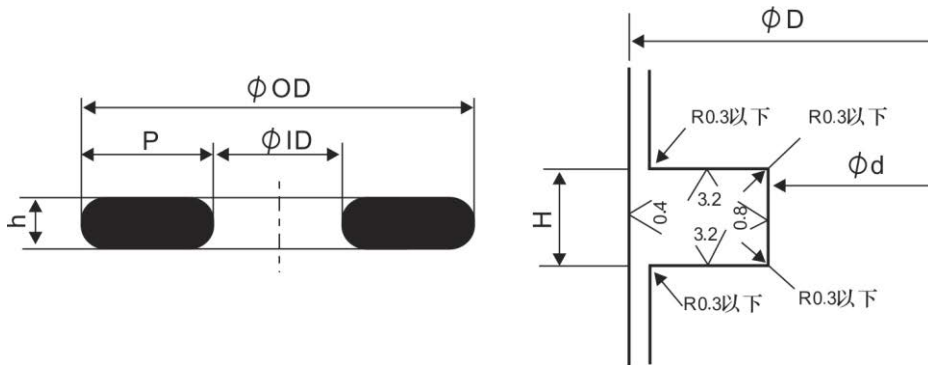


APPLICATION	
MATERIAL	POM
TEMP.	-40°C~100°C
PRESSURE	16kgf/cm ²
SPEED	1m/s

UNIT : MM

ITEM	OD	ID	h
WROM-010	10	7	3
WROM-012	12	9	3
WROM-018	18	15	3
WROM-020	20	17	3
WROM-025	25	22	3
WROM-030	30	27	3
WROM-030	30	27	4
WROM-032	32		9.6
WROM-032	32	29	3
WROM-032	32	29	4
WROM-040	40	36	4
WROM-040	40	36	5
WROM-040	40	36	9.6
WROM-050	50	45	6.35
WROM-050	50	46	4
WROM-050	50	46	5
WROM-050	50	46	9.7
WROM-063	63	58	6
WROM-063	63	58	9.7
WROM-063	63	59	4
WROM-063	63	59	6
WROM-063	63	59	8
WROM-080	80	75	8
WROM-080	80	75	9.7
WROM-080	80	76	4
WROM-080	80	76	6
WROM-080	80	76	8
WROM-100	100	95	8
WROM-100	100	95	9.7
WROM-100	100	96	4
WROM-100	100	96	6
WROM-100	100	96	8

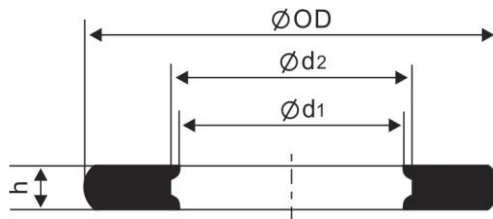
NSP SOLENOID VALVE SEAL



APPLICATION	
MATERIAL	HNBR
TEMP.	-30°C~120°C
PRESSURE	10kgf/cm ²
SPEED	1m/s

ITEM	OD	ID	h	P	D	d	H
NSP-010	10 ^{+0.10} / _{+0.05}	5 ^{-0.10} / _{-0.25}	1.3 ±0.05	2.5	10	5.1	1.5
NSP-010.2	10.2	5	1.3				

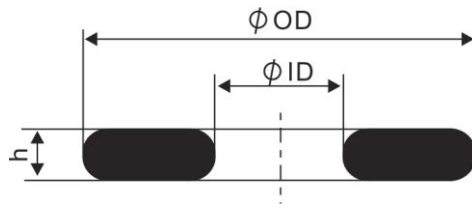
I-RING SOLENOID VALVE SEAL



APPLICATION	
MATERIAL	HNBR
TEMP.	-30°C~120°C
PRESSURE	10kgf/cm ²
SPEED	1m/s

ITEM	OD	d1	d2	h
I-RING-6.0	6	2.85		0.72
I-RING-7.7	7.7	3.9	4.1	0.8
I-RING-10.0	10	5		1.3
I-RING-10.2	10.2	5		1.3
I-RING-10.4	10.4	5	5.2	1.3
I-RING-12.6	12.6	7.4	7.8	1.4
I-RING-14.95	14.95	9.9		1.5

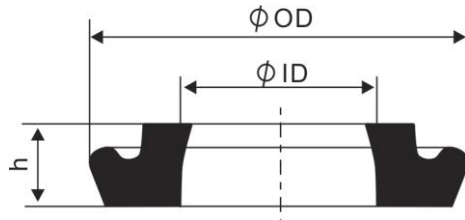
SOLENOID VALVE SEAL



APPLICATION	
MATERIAL	HNBR
TEMP.	-30°C~120°C
PRESSURE	10kgf/cm ²
SPEED	1m/s

ITEM	BOREØ (inch)	OD	ID	h
G1014	1/8"	7.3	3.3	1
G1021	1/4"	10.2	5	1
G1027	3/8"	11.8	5.5	1
G1028	1/2"	16.2	8.4	1.1

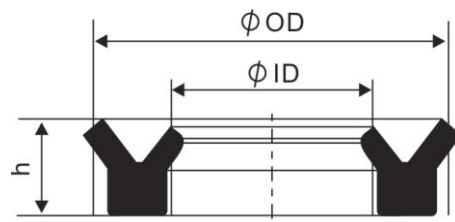
SOLENOID VALVE-PISTON SEAL



APPLICATION	
MATERIAL	HNBR
TEMP.	-30°C~120°C
PRESSURE	10kgf/cm ²
SPEED	1m/s

ITEM	BOREØ (inch)	OD	ID	h
G1019	1/4"	10.25	6	2
G1025	3/8"	11.75	7.7	2
G1022	1/2"	16.3	11.7	2.9

NPR SOLENOID VALVE-ROD SEAL



APPLICATION	
MATERIAL	HNBR
TEMP.	-30°C~120°C
PRESSURE	10kgf/cm ²
SPEED	1m/s

ITEM	ID	OD	h
NPR-010	10	14	2
NPR-014	14	18	2.7
NPR-017	17	21	3.2



PETSEALS INDUSTRIES LTD.

ADD: No.9, Ln.229, Sec.1, Zhongshan Rd.,

Wuri Dist., Taichung City 414, Taiwan

TEL : 886-4-23367239 FAX : 886-4-23366057

E-mail: petseals@petseals.com